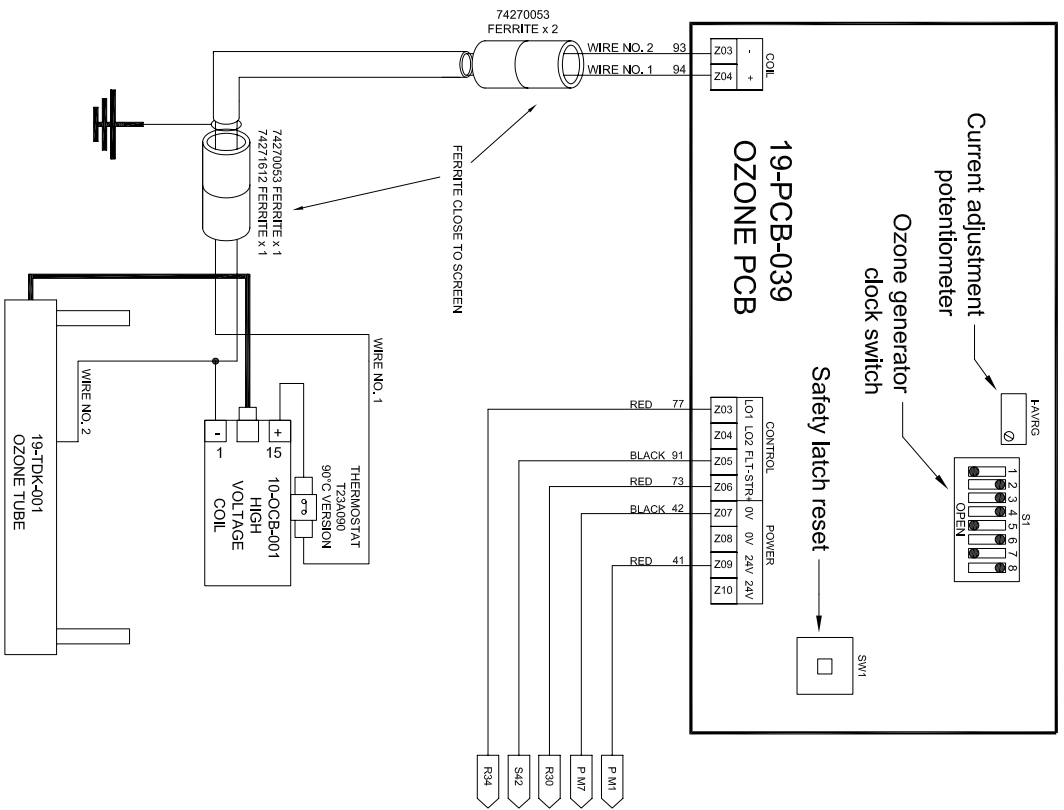


**NOTE:**  
 P TERMINAL - POWER DISTRIBUTION, DWG NO 811041061  
 R TERMINAL - RELAY PCB, DWG NO 811041062  
 S TERMINAL - SIGNAL PCB, DWG NO 811041063  
 Z TERMINAL - OZONE PCB, DWG NO 811041064  
 A TERMINAL - AUXILIARY PCB, DWG NO 811041065  
 I TERMINAL - 4-20mA OUTPUTS, DWG NO 811041066  
 M TERMINAL - MOTHERBOARD PCB, DWG NO 811041067  
 N TERMINAL - TN TP I/O PCB, DWG NO 811041068



REV.	DETAILS	DATE
X1	AutoCad drawing no. 811041070	23/08/12



PROJECT: BIOTECTOR SERIES 4 MIXER REACTOR		SCALE: N.T.S.
DWG. TITLE: Ozone PCB Wiring		DATE: 23.08.2012
DWG. NO: 811041064		DR.BY: MP
		CHKD.BY: SOM
		VERSION: X1